

Product change notification (PCN)

Title / short description	MKDS 10 HV change to the base contour
Affected article category	PCB terminal blocks and PCB connectors
Change category	Form and appearance
Change number	CAA200057-00

Purpose/objective of the change

As part of our ongoing improvement process, the contour of the MKDS 10 HV terminal block base is being changed. Two ribs will be added. These additional ribs prevent the housing from moving as much when forces are applied to the terminal sleeve, therefore simplifying operation.

Detailed description of the change

Two ribs (2 x 1 mm) will be added to the base of the terminal block. The ribs will be added to the body of the current contact surface, and therefore act as an additional support. The overall height of the terminal block will remain identical. The PCB layout, the technical performance data, and the terminal block approvals are not affected by this change.

Identifying characteristics

Production batch V/C on the packaging label

Start of Production (SOP)	-	Last Time Delivery (LTD)	-
Effective date (EOP)	2021-04-01	End of Service (EOSR)	-
End of Sales (EOS)	-		

Short-term change (< 6 months) or discontinuation (< 12 months), due to:

- | | | |
|---|---|--|
| <input type="checkbox"/> Software / Firmware Bugfix | <input type="checkbox"/> Short-term delivery stop by supplier | <input type="checkbox"/> Short-term recall by supplier |
| <input type="checkbox"/> Force majeure | <input type="checkbox"/> Product improvement with customer benefits | |
| <input type="checkbox"/> Others | | |

Attachments

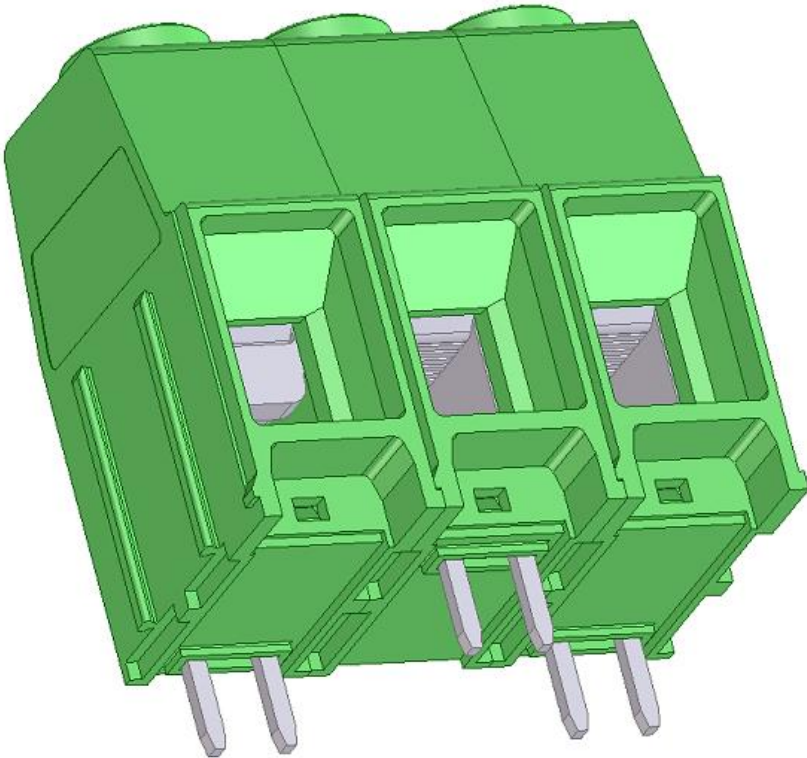
- CAA200057 pictures current and future design.pdf
- Material_list.csv
- PCN-CAA200057-00 MKDS 10 HV Konturänderung des Bodens_DE
- PCN-CAA200057-00 MKDS 10 HV change to the base contour_EN

Material list

Item	Article Type	Hardware / Firmware		Item	Substitute item Type
		old	new		
1993776	MKDS 10 HV/ 1-B-10,16	1	2		
1993763	MKDS 10 HV/ 1-F-10,16	1	2		
1709681	MKDS 10 HV/ 2-ZB-10,16	1	2		
1790917	MKDS 10 HV/ 3-ZB-10,16 BD:NZ	0	1		
1709694	MKDS 10 HV/ 3-ZB-10,16	1	2		
1782909	MKDS 10 HV/ 3-ZF-10,16	1	2		
1701110	MKDS 10 HV/ 3-ZB-10,16 H1L	1	2		
1723586	MKDS 10 HV/ 3-ZB-10,16 BD:NZH1L	3	4		
1189150	MKDS 10 HV/ 4-ZB-10,16 BD:N-L3	0	1		
1711088	MKDS 10 HV/ 4-ZB-10,16MIX BD:L	0	1		
1709704	MKDS 10 HV/ 4-ZB-10,16	1	2		
1723599	MKDS 10 HV/ 5-ZB-10,16 BD:NZH1L	3	4		
1710387	MKDS 10 HV/ 5-ZF-10,16 PA1245	0	1		
1709717	MKDS 10 HV/ 5-ZB-10,16	1	2		
1790920	MKDS 10 HV/ 6-ZB-10,16 BD:NZ	0	1		
1709720	MKDS 10 HV/ 6-ZB-10,16	1	2		
1709733	MKDS 10 HV/ 7-ZB-10,16	1	2		
1818452	MKDS 10 HV/ 8-ZF-10,16 H1L	1	2		
1709746	MKDS 10 HV/ 8-ZB-10,16	1	2		
1709759	MKDS 10 HV/ 9-ZB-10,16	1	2		
1709762	MKDS 10 HV/10-ZB-10,16	1	2		
1709775	MKDS 10 HV/11-ZB-10,16	1	2		
1709788	MKDS 10 HV/12-ZB-10,16	1	2		
1019148	MKDS 10 HV/1-B-10,16 BK	0	1		
1019154	MKDS 10 HV/ 1-F-10,16 BK	0	1		
1192603	MKDS 10 HV/ 3-ZB-10,16BKBDL3MQ	0	1		
1186608	MKDS 10 HV/ 3-ZB-10,16 BKBDU-W	0	1		
1186609	MKDS 10 HV/ 3-ZB-10,16 BKBDDC-	0	1		
1192655	MKDS 10 HV/ 3-ZB-10,16BKBDDCMQ	0	1		
1192648	MKDS 10 HV/ 3-ZB-10,16BKBD-WMQ	0	1		
1186607	MKDS 10 HV/ 3-ZB-10,16 BKBD-L3	0	1		
1745043	MKDS 10 HV/10-ZB-10,16 BK	1	2		
1705211	MKDS 10 HV/ 1-F-10,16 BN	1	2		
1705572	MKDS 10 HV/ 1-B-10,16 BU	0	1		
1712512	MKDS 10 HV/ 2-ZB-10,16 GY BD+R	0	1		
1806286	MKDS 10 HV/ 3-ZB-10,16 GYBD-L3	0	1		
1806273	MKDS 10 HV/ 3-ZB-10,16 GYBDUVW	0	1		
1072163	MKDS 10 HV/ 3-ZB-10,16 GY	0	1		

Item	Article Type	Hardware / Firmware		Item	Substitute item Type
		old	new		
1710578	MKDS 10 HV/ 5-ZB-10,16GYBDUGSO	0	1		
1710576	MKDS 10 HV/ 5-ZB-10,16 GYBDRB1	0	1		

Current Design



New Design

